

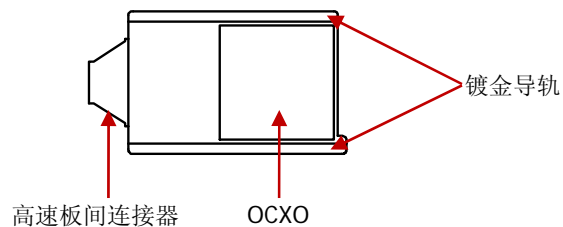


OCXO-B08 高稳时钟参考

产品简介

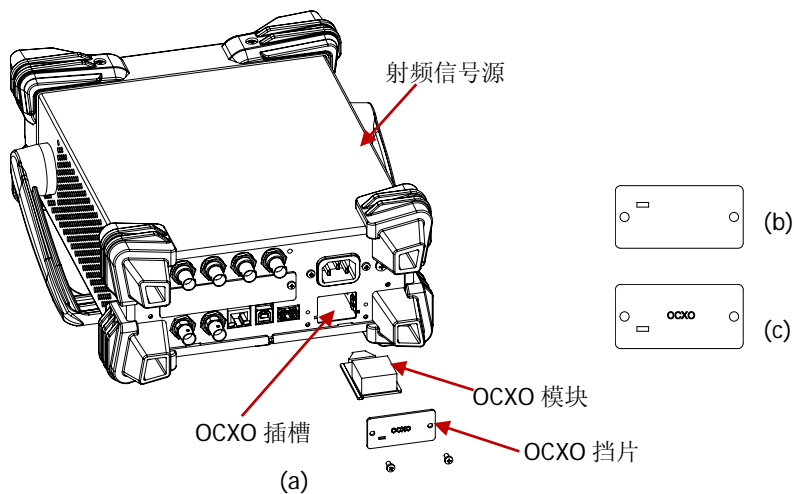
高稳时钟参考（订货号 OCXO-B08）是 DSG800 系列射频信号源的选件，即 OCXO 模块。主要包括如下部分：

- 高速板间连接器：将 OCXO 模块与射频信号源主机电气连接。
- 镀金导轨：使 OCXO 模块与射频信号源的 OCXO 导轨槽良好电气接触。
- OCXO：恒温晶振模块。



拆装说明

OCXO 模块与射频信号源的连接方式如下图所示。



1. 安装步骤：

- (1) 使用螺丝刀（T10）拆卸 DSG800 后面板上的 OCXO 挡片，如上图(b)所示。
- (2) 将 OCXO 模块按上图(a)所示方向插入 OCXO 插槽内，并确保其紧固连接。
- (3) 将挡片带有“OCXO”字样的一面朝外，如上图(c)所示，使用 2 颗螺钉固定挡片。

2. 拆卸步骤：

- (1) 使用螺丝刀（T10）拆卸 DSG800 后面板上的 OCXO 挡片，如上图(c)所示。
- (2) 使用尖嘴钳将 OCXO 模块拔出。
- (3) 将挡片无“OCXO”字样的一面朝外，如上图(b)所示，使用 2 颗螺钉固定挡片。



注意

拆装 OCXO 模块时，请佩戴防静电手套或采取其他防静电措施，避免 OCXO 模块与手直接接触。



警告

为避免电击，拆装 OCXO 模块前，请确保仪器已关闭并且已断开与电源的连接。

性能指标

操作环境	温度 0℃至 50℃；湿度 0 至 80%RH
存放环境	温度-20℃至 60℃；湿度 0 至 90%RH
模块尺寸	32 mm × 17 mm × 59 mm (W × H × D)
模块重量	22 g
输入电压	5.00 V ± 0.25 V
启动电流	< 600 mA
稳定电流	< 300 mA
输出频率	10 MHz
温度稳定度	< 5 ppb
老化率	< 30 ppb/年
频率偏差	< 100 ppb
热机时间	1 h

注：只有热机 1 小时后才能达到指标值。

使用须知

将 OCXO 模块装入射频信号源后，通电并开机。在上电期间，射频信号源自动识别 OCXO 模块，并与其同步。注意：此时，射频信号源不可接入外同步信号。

按 **Syst** → **信息** → **系统信息**，若在仪器界面显示 OCXO-B08 选件被激活，则可判断 OCXO 模块与射频信号源同步成功；反之，同步失败。



注意

射频信号源安装 OCXO 模块后，若仅关闭前面板电源键，而后面板 AC 电源持续供电，则 OCXO 模块将持续保持工作状态。若长时间不用射频信号源，请拔掉 AC 电源插头。

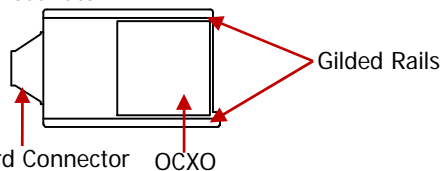


OCXO-B08 High Stable Reference Clock

Product Overview

The high stable reference clock (namely the OCXO module; the order number is OCXO-B08) is an option for DSG800 series RF signal generator and mainly includes the following parts.

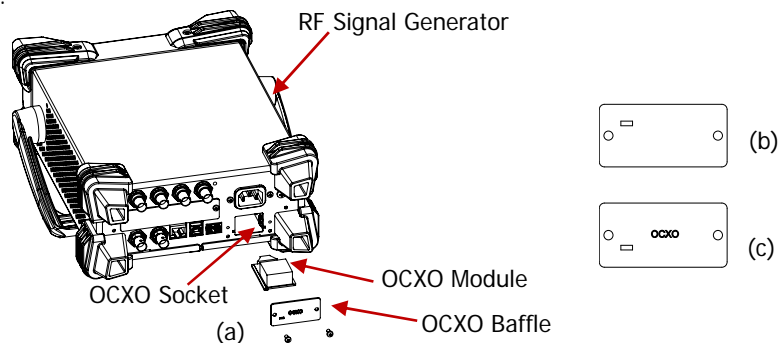
- High-speed mother-daughter board connector: make electric connection between the OCXO module and RF signal generator.
- Gilded rails: ensure good electric connection between the OCXO module and the OCXO rail grooves of the RF signal generator.
- OCXO: oven controlled crystal oscillator.



High-speed Mother-Daughter Board Connector OCXO

Disassemble&Assemble Explanations

The connecting method of the OCXO module and RF signal generator is as shown in the figure below.



1. Assemble Procedures:
 - (1) Disassemble the OCXO baffle on the rear panel of DSG800 using a screwdriver (T10), as shown in figure (b).
 - (2) Insert the OCXO module into the OCXO socket as shown in figure (a) and make sure that the OCXO module is firmly connected.
 - (3) Fix the baffle with the surface marked with "OCXO" facing outwards (as shown in figure (c)) using 2 screws.
2. Disassemble Procedures:
 - (1) Disassemble the OCXO baffle on the rear panel of DSG800 using a screwdriver (T10), as shown in figure (c).
 - (2) Extract the OCXO module using nipper pliers.
 - (3) Fix the baffle with the surface marked with "OCXO" facing inwards (as shown in

figure (b)) using 2 screws.



CAUTION

When disassembling or assembling the OCXO module, please wear antistatic gloves or make other antistatic precautions and avoid touching the OCXO module with your hands directly.



WARNING

To avoid electric shock, make sure that the instrument is turned off and the power supply is disconnected before disassembling or assembling the OCXO module.

Specifications

Operating Environment	Temperature: 0°C to 50°C; humidity: 0 to 80%RH
Storage Environment	Temperature: -20°C to 60°C; humidity: 0 to 90%RH
Module Dimensions	32 mm × 17 mm × 59 mm (W × H × D)
Module Weight	22 g
Input Voltage	5.00 V ± 0.25 V
Start-up Current	< 600 mA
Stable Current	< 300 mA
Output Frequency	10 MHz
Temperature Stability	< 5 ppb
Aging Rate	< 30 ppb/year
Frequency Deviation	< 100 ppb
Warm-up Time	1 h

Note: The specifications can be warranted only when the instrument has been warmed up for 1 hour.

Notices

After the OCXO module is installed, power on and start up the RF signal generator. During the start-up process, the RF signal generator will recognize the OCXO module automatically and be synchronized with the OCXO module. Note that at this point, external sync signal cannot be connected to the RF signal generator.

Press **Syst** → **Information** → **System Info**; if the instrument interface shows that the OCXO-B08 option is activated, the OCXO module and RF signal generator are successfully synchronized; otherwise, the synchronization fails.



CAUTION

After the OCXO module is installed, the OCXO module will still be working if you only turn off the power key at the front panel without cutting off the AC power supply at the rear panel. Therefore, please remove the AC power plug when you will not use the RF signal generator for a long period of time.